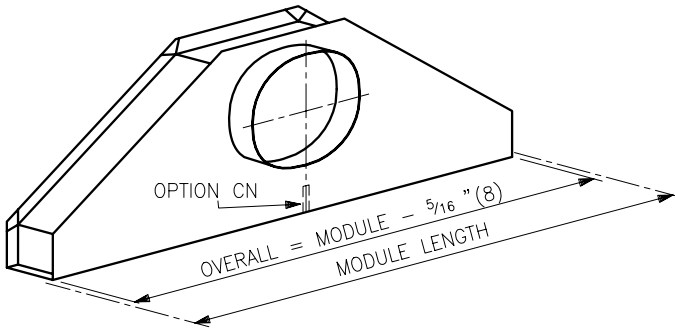


TBD,TBDI 8 T-BAR SUPPLY DIFFUSER



IMPERIAL SCHEDULE (INCH)

MODEL	MODULE LENGTH	H	D	1 SLOT W	2 SLOT W
□ 1/2" SLOT TBD 850 TBDI 850	24	6 ³ / ₈	5*	1 ¹ / ₄	2 ¹ / ₂
	30	6 ³ / ₈	5*		
	48	9 ³ / ₈	5		
□ 3/4" SLOT TBD 875 TBDI 875	24	6 ³ / ₈	5*	1 ¹ / ₂	3
	30	6 ³ / ₈	5*		
	48	9 ³ / ₈	6		
□ 1" SLOT TBD 8100 TBDI 8100	24	6 ³ / ₈	6*	1 ³ / ₄	3 ¹ / ₂
	30	6 ³ / ₈	6*		
	48	10	7		
	60	10 ³ / ₈	6		

METRIC SCHEDULE (mm)

MODEL	MODULE LENGTH	H	D	1 SLOT W	2 SLOT W
□ (13) SLOT TBD 850 TBDI 850	600	162	127*	32	63
	750	162	127*		
	1200	238	127		
□ (19) SLOT TBD 875 TBDI 875	600	162	127*	38	76
	750	162	127*		
	1200	238	152		
□ (25) SLOT TBD 8100 TBDI 8100	600	162	152*	44	89
	750	162	152*		
	1200	254	178		
	1500	264	152		
		279	203		

* SUPPLIED AS EQUIVALENT OVAL

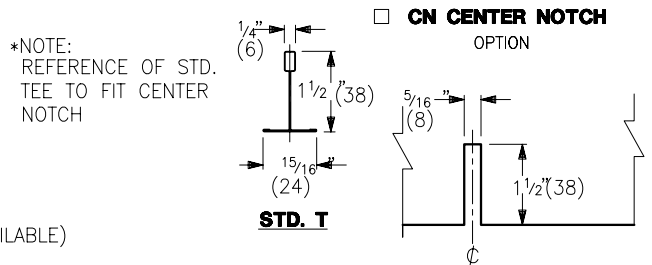
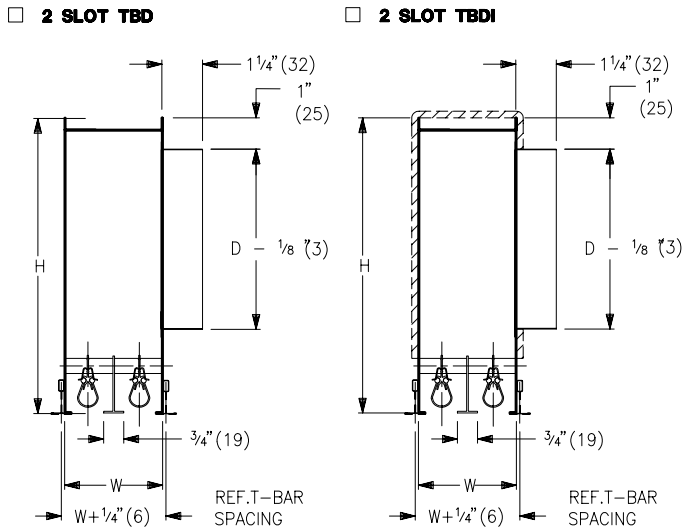
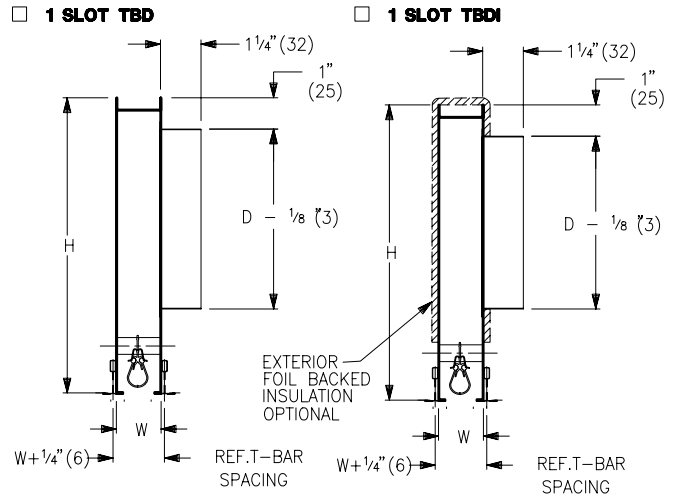
MATERIAL:

- SHELL: COATED STEEL
- PATTERN CONTROLLER/CENTER TEE: EXTRUDED ALUMINUM

FINISH:

- SHELL: MILL
- PATTERN CONTROLLER: B17 BLACK
- CENTER TEE: □ B12 WHITE (OPTIONAL FINISHES AVAILABLE)

- FACTORY TOLERANCE: ± 1/32" (1)

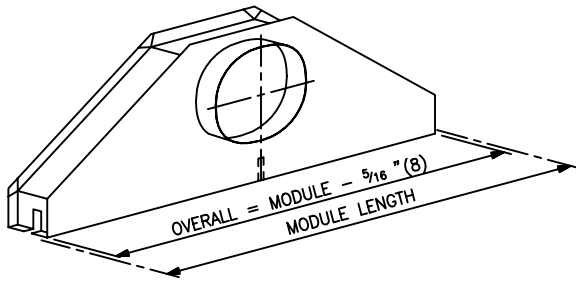


*NOTE: REFERENCE OF STD. TEE TO FIT CENTER NOTCH

ALL METRIC DIMENSIONS () ARE SOFT CONVERTED. IMPERIAL DIMENSIONS ARE CONVERTED TO METRIC AND ROUNDED TO THE NEAREST MILLIMETER.

PROJECT:		PRICE [®]	
ENGINEER:		<i>KL</i>	TBD8,TBDI8
CUSTOMER:		219522	T - BAR DIFFUSERS SUPPLY
SUBMITTAL DATE:	SPEC. SYMBOL:	MAY 97	

TBD,TBDI 8 STRADDLE MOUNTING SUPPLY DIFFUSER



IMPERIAL SCHEDULE (INCH)

MODEL	MODULE LENGTH	H	D	W	
□ TBD 850	1/2" SLOT	24	6 3/8	5*	2 5/8
		30	6 3/8	5*	
		48	9 3/8	5	
		60	10 3/8	6	
□ TBDI 850	3/4" SLOT	24	6 3/8	5*	3 1/8
		30	6 3/8	5*	
		48	9 3/8	6	
		60	10 3/8	7	
□ TBD 875	1" SLOT	24	6 3/8	6*	3 5/8
		30	6 3/8	6*	
		48	10	7	
		60	11	8	

METRIC SCHEDULE (mm)

MODEL	MODULE LENGTH	H	D	W	
□ TBD 850	(13) SLOT	600	162	127*	67
		750	162	127*	
		1200	238	127	
		1500	264	152	
□ TBDI 850	(19) SLOT	600	162	127*	79
		750	162	127*	
		1200	238	152	
		1500	264	178	
□ TBD 875	(25) SLOT	600	162	152*	92
		750	162	152*	
		1200	254	178	
		1500	279	203	

* SUPPLIED AS EQUIVALENT OVAL

MATERIAL:

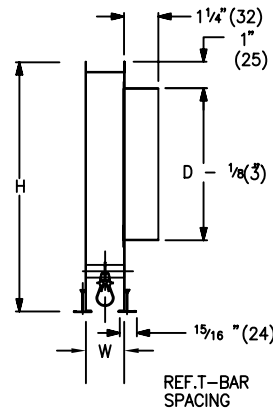
- SHELL: COATED STEEL
- PATTERN CONTROLLER EXTRUDED ALUMINUM

FINISH:

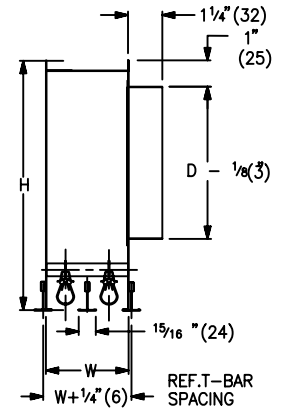
- SHELL: MILL
- PATTERN CONTROLLER: B17 BLACK

- FACTORY TOLERANCE: ± 1/32" (1)

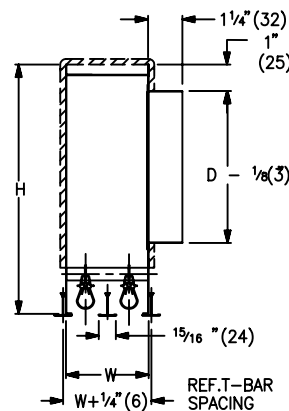
□ TBD8/TB1/TB2



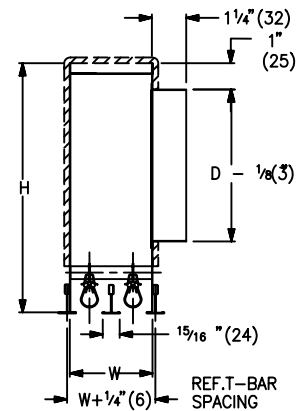
□ TBD8/ST



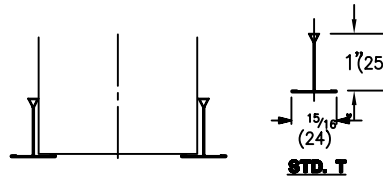
□ TBDI8/TB1/TB2



□ TBDI8/ST

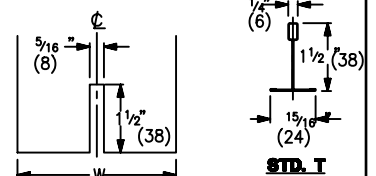


TB DETAILS



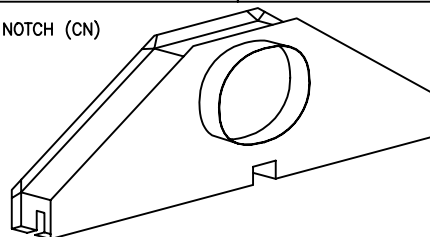
TB1—FACTORY INSTALLED T-BARS ON INLET SIDE
TB2—FACTORY INSTALLED T-BARS ON BOTH SIDES

STRADDLE DETAIL



MODEL TBD8/ST STRADDLES A STD. T-BAR SUPPLIED BY OTHERS

OPTIONAL: CENTRE NOTCH (CN)



ALL METRIC DIMENSIONS () ARE SOFT CONVERTED. IMPERIAL DIMENSIONS ARE CONVERTED TO METRIC AND ROUNDED TO THE NEAREST MILLIMETER.

PROJECT:

ENGINEER:

CUSTOMER:

SUBMITTAL DATE:

SPEC. SYMBOL:



Handwritten initials

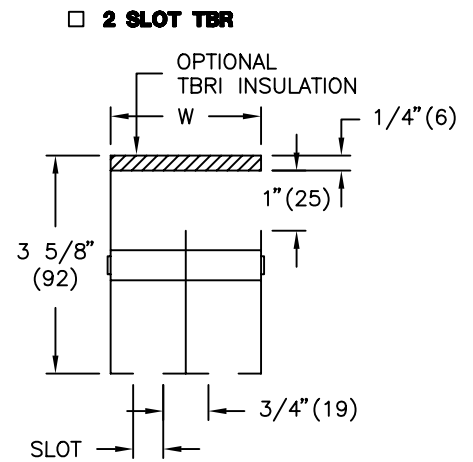
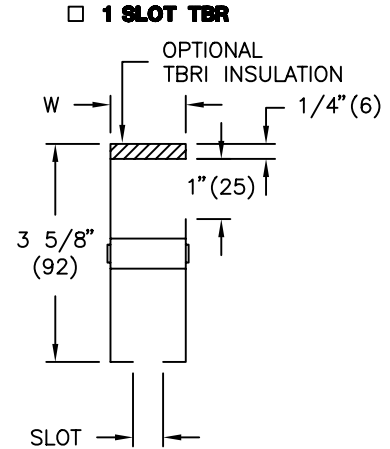
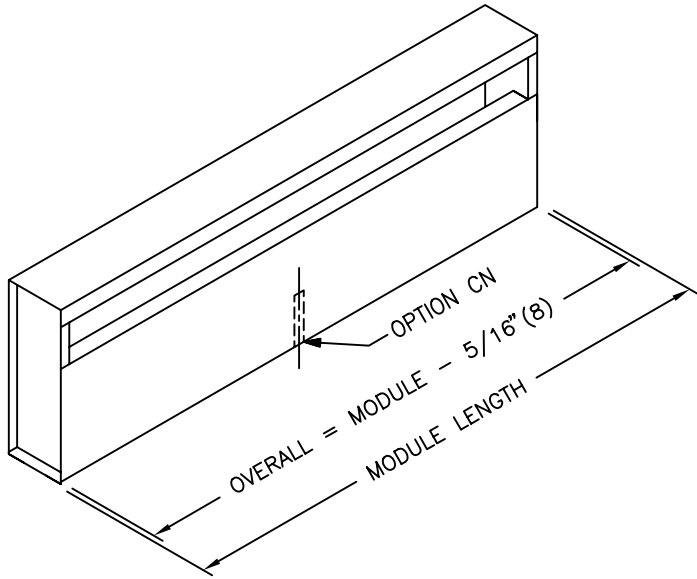
219535

AUG 2002

TBD8,TBDI8/ST

2 SLOT T-BAR
SUPPLY DIFFUSER
C/W STRADDLE MOUNTING
C/W TB1 AND TB2 OPTIONS

TBR8 T-BAR RETURN DIFFUSER

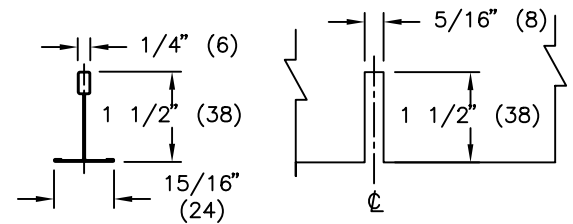


IMPERIAL / (METRIC) SCHEDULE

MODEL	MODULE LENGTH IMPERIAL	MODULE LENGTH METRIC	1 SLOT W	2 SLOT W
<input type="checkbox"/> TBR 850	1/2" (13) SLOT	24 (610)	1 1/4 (32)	2 1/2 (64)
	30 (762)	750		
	48 (1219)	1200		
<input type="checkbox"/> TBRI 850	60 (1524)	1500		
	3/4" (19) SLOT	24 (610)	1 1/2 (38)	3 (76)
		30 (762)		
48 (1219)		1200		
<input type="checkbox"/> TBRI 875	60 (1524)	1500		
	1" (25) SLOT	24 (610)	1 3/4 (44)	3 1/2 (89)
		30 (762)		
48 (1219)		1200		
<input type="checkbox"/> TBRI 8100	60 (1524)	1500		

CN CENTER NOTCH

*NOTE:
REFERENCE OF STANDARD T
TO FIT CENTER NOTCH



OPTIONS:

- CN CENTER NOTCH
- TB1 ONE OUTSIDE T-BAR ON INLET SIDE
- TB2 OUTSIDE T-BARS ON BOTH SIDES
- APF ALUMINUM PLASTER FRAME
- FF: FIBER FREE FOAM INSULATION
- CF: COATED FIBERGLASS INSULATION

MATERIAL:

- SHELL: COATED STEEL
- CENTER T: EXTRUDED ALUMINUM

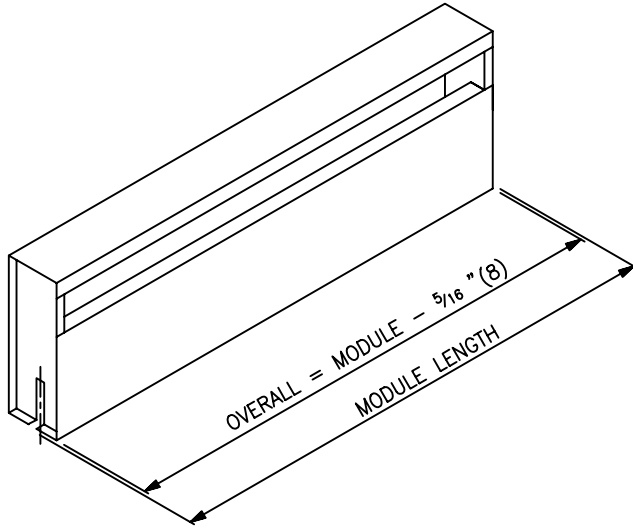
FINISH:

- SHELL: MILL
- CENTRE T:
 - B12 WHITE (OPTIONAL FINISHES AVAILABLE)
- FACTORY TOLERANCE: ± 1/32" (1)

ALL METRIC DIMENSIONS () ARE SOFT CONVERTED. IMPERIAL DIMENSIONS ARE CONVERTED TO METRIC AND ROUNDED TO THE NEAREST MILLIMETER.

PROJECT:		PRICE®	
ENGINEER:		 219523	TBR8 / TBRI8 T-BAR RETURN DIFFUSER
CUSTOMER:			
SUBMITTAL DATE:	SPEC. SYMBOL:	MAR.2004	

TBR,TBRI 8 STRADDLE MOUNTING RETURN DIFFUSER



IMPERIAL / (METRIC) SCHEDULE

MODEL	MODULE LENGTH IMPERIAL	MODULE LENGTH METRIC	2 SLOT W
□ TBR 850	1/2" (13) SLOT	24 (610)	600
	30 (762)	750	2 5/8 (67)
	48 (1219)	1200	
60 (1524)	1500		
□ TBRI 850	1/2" (13) SLOT	24 (610)	600
	30 (762)	750	3 1/8 (79)
	48 (1219)	1200	
60 (1524)	1500		
□ TBR 875	3/4" (19) SLOT	24 (610)	600
	30 (762)	750	3 5/8 (92)
	48 (1219)	1200	
60 (1524)	1500		
□ TBRI 875	3/4" (19) SLOT	24 (610)	600
	30 (762)	750	3 5/8 (92)
	48 (1219)	1200	
60 (1524)	1500		
□ TBR 8100	1" (25) SLOT	24 (610)	600
	30 (762)	750	3 5/8 (92)
	48 (1219)	1200	
60 (1524)	1500		
□ TBRI 8100	1" (25) SLOT	24 (610)	600
	30 (762)	750	3 5/8 (92)
	48 (1219)	1200	
60 (1524)	1500		

MATERIAL:

- SHELL: COATED STEEL
- INSULATION: 1/2" INTERNAL ON TBRI

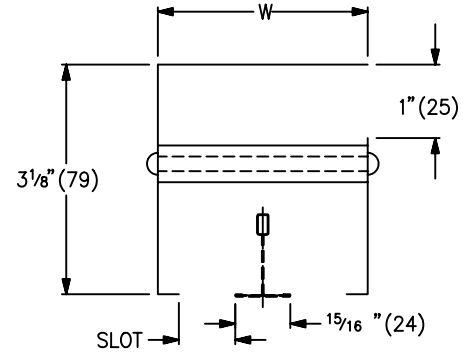
FINISH:

- SHELL: MILL

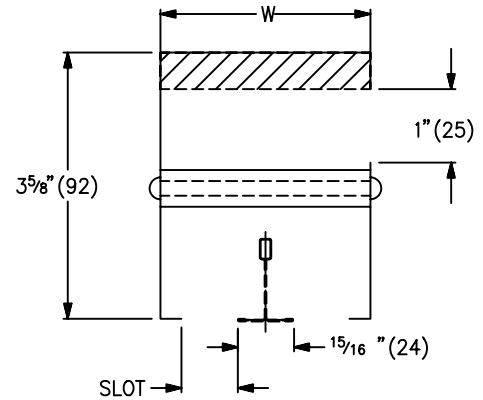
- FACTORY TOLERANCE: ± 1/32" (1)

ALL METRIC DIMENSIONS () ARE SOFT CONVERTED. IMPERIAL DIMENSIONS ARE CONVERTED TO METRIC AND ROUNDED TO THE NEAREST MILLIMETER.

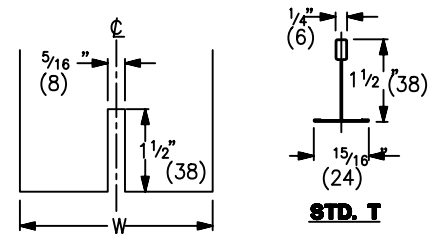
□ **TBR8/ST**



□ **TBR18/ST**



STRADDLE DETAIL



MODEL TBR8/ST STRADDLES A STD. T-BAR SUPPLIED BY OTHERS

PROJECT:

ENGINEER:

CUSTOMER:

SUBMITTAL DATE:

SPEC. SYMBOL:

PRICE[®]

TBR8,TBR18/ST
2 SLOT T-BAR
RETURN DIFFUSER
C/W STRADDLE MOUNTING

219536
MAR. 2004